

Linea 50

SURFACE STEM



SPECIFICATION SHEET

Linea 50



Model 1672

Type

S Surface - STEM

Size

48 48.6" [1234mm]
60 60.4" [1535mm]
72 72.3" [1836mm]
84 84.1" [2137mm]

Wattage ^{1,2}

Direct

48"

LD 12W (1600lm)
MD 24W (2970lm)

60"

LD 15W (2000lm)
MD 30W (3715lm)

72"

LD 18W (2400lm)
MD 36W (4460lm)

84"

LD 21W (2800lm)
MD 42W (5200lm)

Indirect ³

LI 12W (1600lm)
MI 24W (2970lm)

LI 15W (2000lm)
MI 30W (3715lm)

LI 18W (2400lm)
MI 36W (4460lm)

LI 21W (2800lm)
MI 42W (5200lm)

XI - No Indirect

Color Temp ⁴

30 3000
35 3500
40 4000

Voltage

U 120/277 Volt
1 120 Volt (DFPN only - see section Control)

Driver

RD Remote

Control - RD

S Non-dim
D010 0-10V 10%
DFPN Lutron Forward Phase 1% 120 Volt
L3DAE Lutron Hi-lume 1% EcoSystem
L3DOE Hi-lume Premier 0.1% EcoSystem

Diffuser Bottom

SW Satin opal acrylic

Diffuser Top

SA Satin clear acrylic
CT Aluminum - painted to match the fixture

Finish

16 Clear anodized aluminum
21 Painted white - RAL 9010 matte
26 Painted black - RAL 9005 matte
22 Painted custom color

Mounting

S Stem - remote driver

Circuit

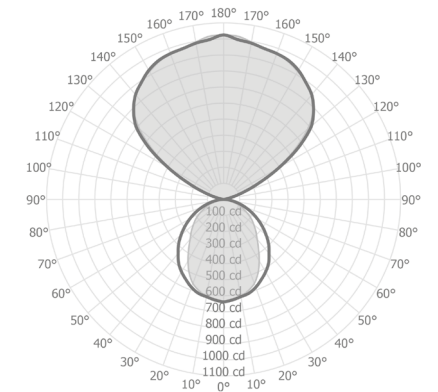
CS Circuit - Single
CD Circuit - Dual

Notes

- 1 Nominal lumens value specified
- 2 Linear LED board, constant voltage 24 Volt
- 3 For no Indirect light specify XI
- 4 90+ CRI standard

Example fixture number:

1672 - S - 48 - LD - LI - 30 - U - RD - S - SW - SA - 16 - S - CS



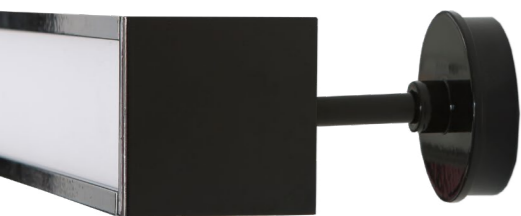


Linea 50

SURFACE STEM

The simple design features give the product an elegant and unique appearance.

Linear surface mounted fixture with Direct / Indirect light distribution. Extruded aluminum construction with Satin Opal diffuser.



Size	
48	48.6" [1234mm]
60	60.4" [1535mm]
72	72.3" [1836mm]
84	84.1" [2137mm]
Custom	



* 50mm x 50mm fixture body profile
* Fixture is ADA compliant

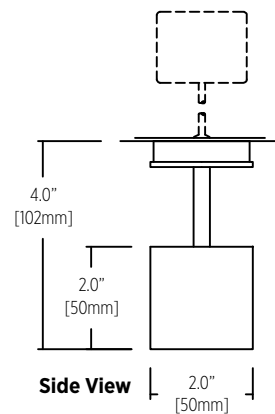
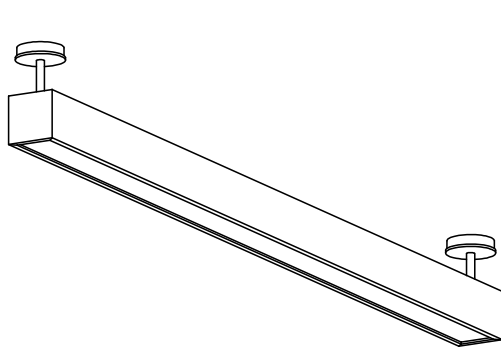
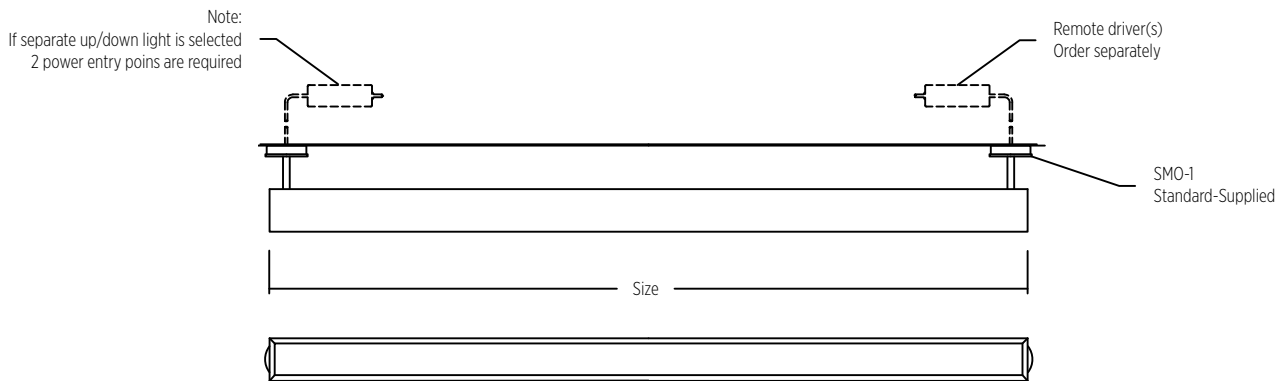
Linea 50

SURFACE STEM

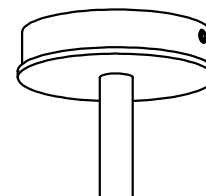
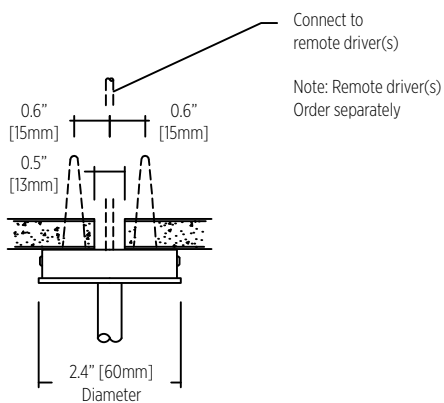


SPECIFICATION SHEET

Linea 50



SMO-1 Standard - Supplied



Mounting Option - Stem, Power / Non Power
Installed in drywall or wood
Application wall or ceiling